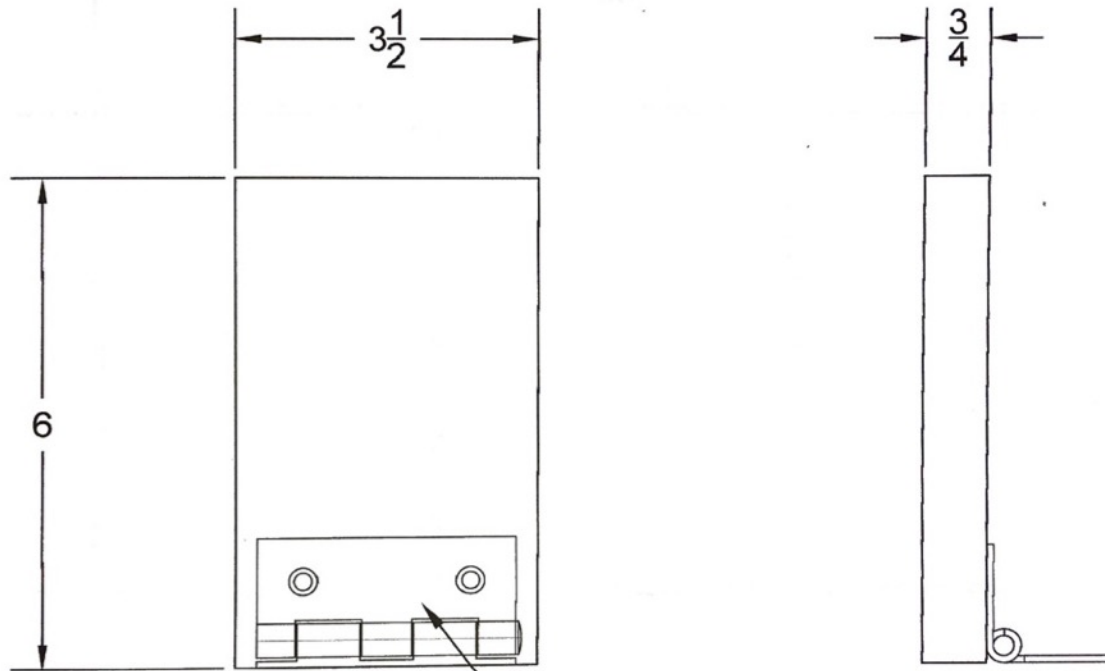


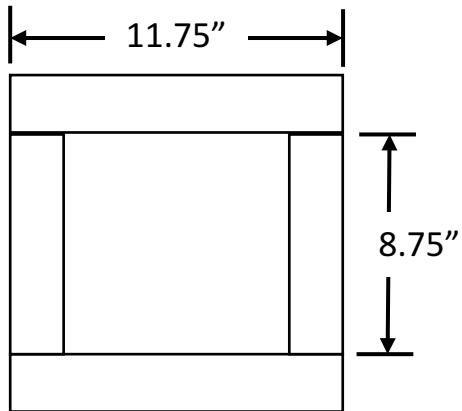
Hinge attaches shark/fish to course

Course	Fish Food!	Description Detail of Shark & Fish Walls
Date		

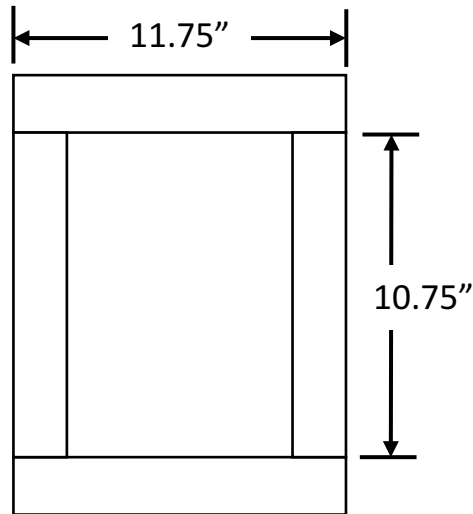


Hinge attaches ship to course

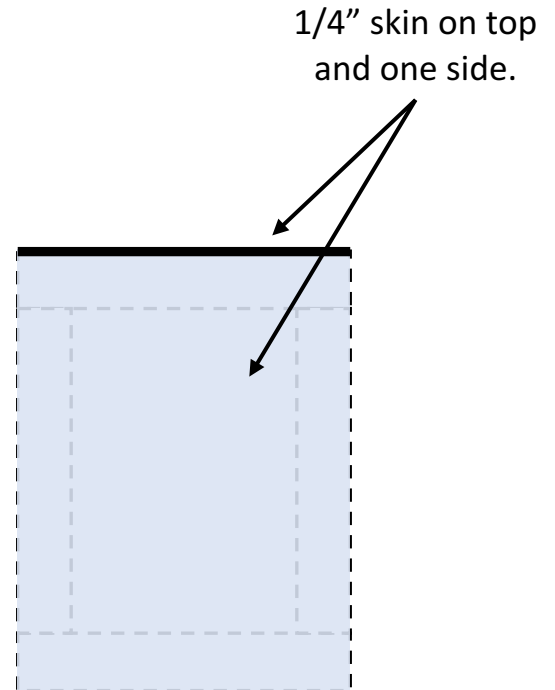
Course	Fish Food!	Description Detail of Ship Walls
Date		



Bottom and Top View



Side View

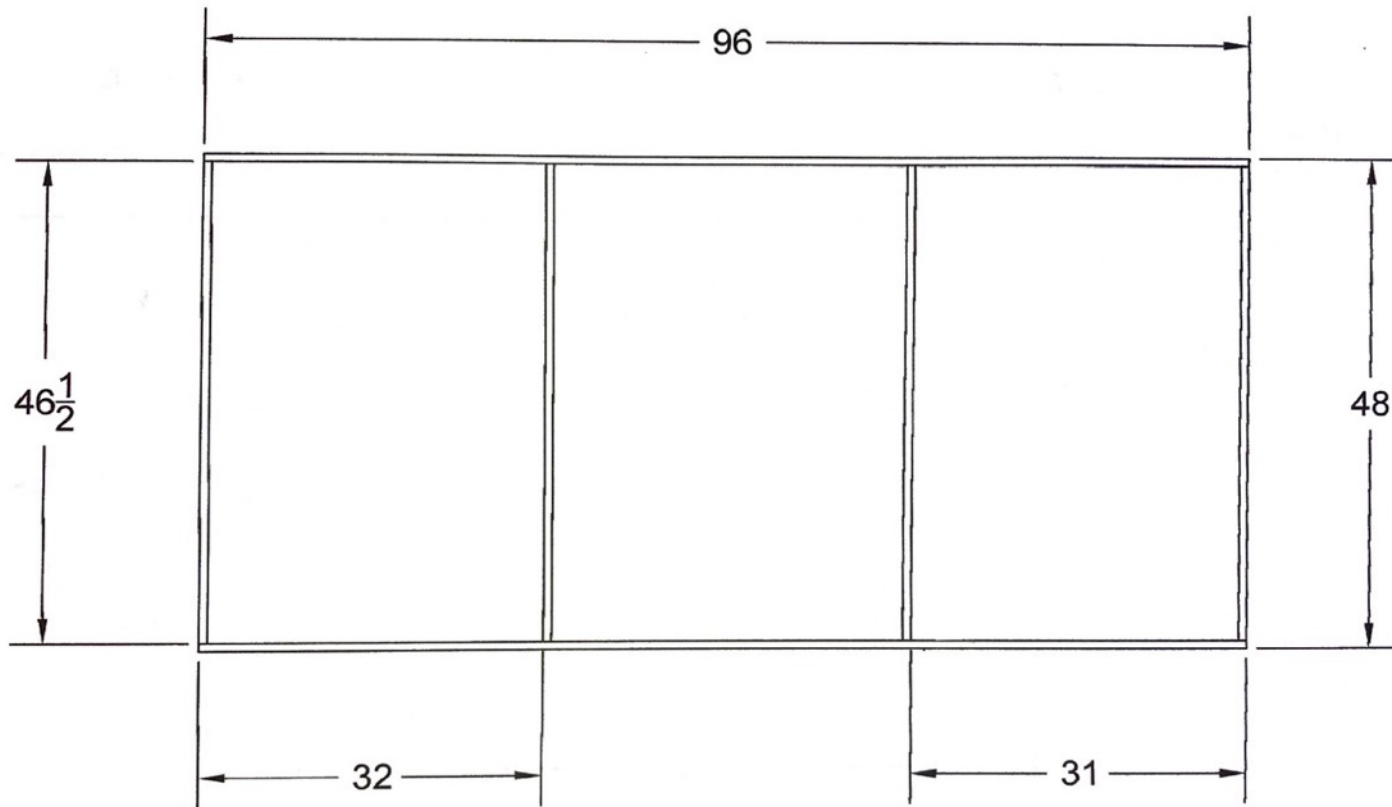


Skin View

All internal structure is 1.5" x 1.5" (2x2) material.

The competition course is has skin on 3 sides of this box.  
That is for aesthetic purposes only and is NOT required.

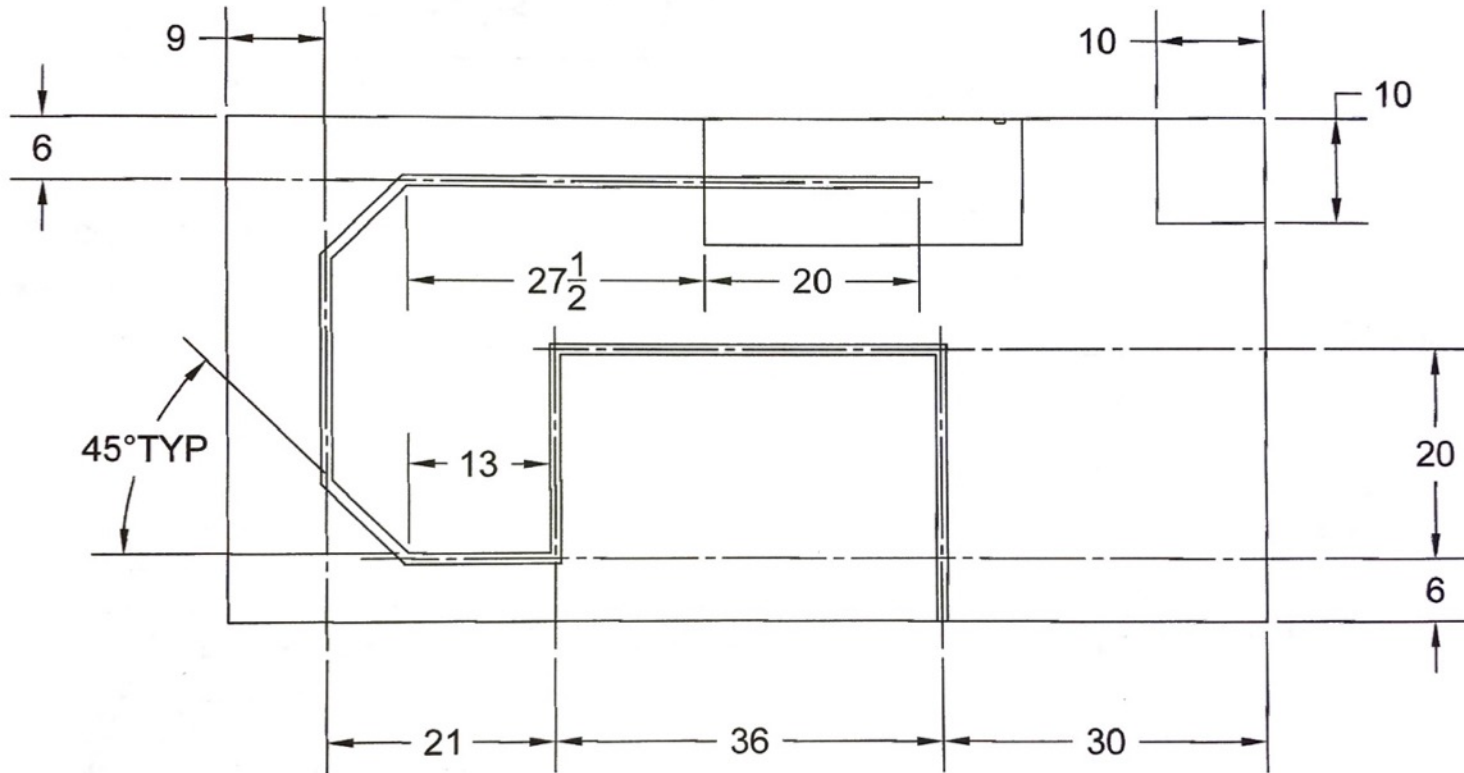
Course	<b>Fish Food!</b>	Description Detail of Finish Platform
Date	11/15/16	



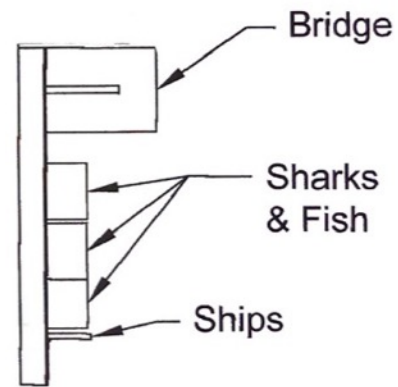
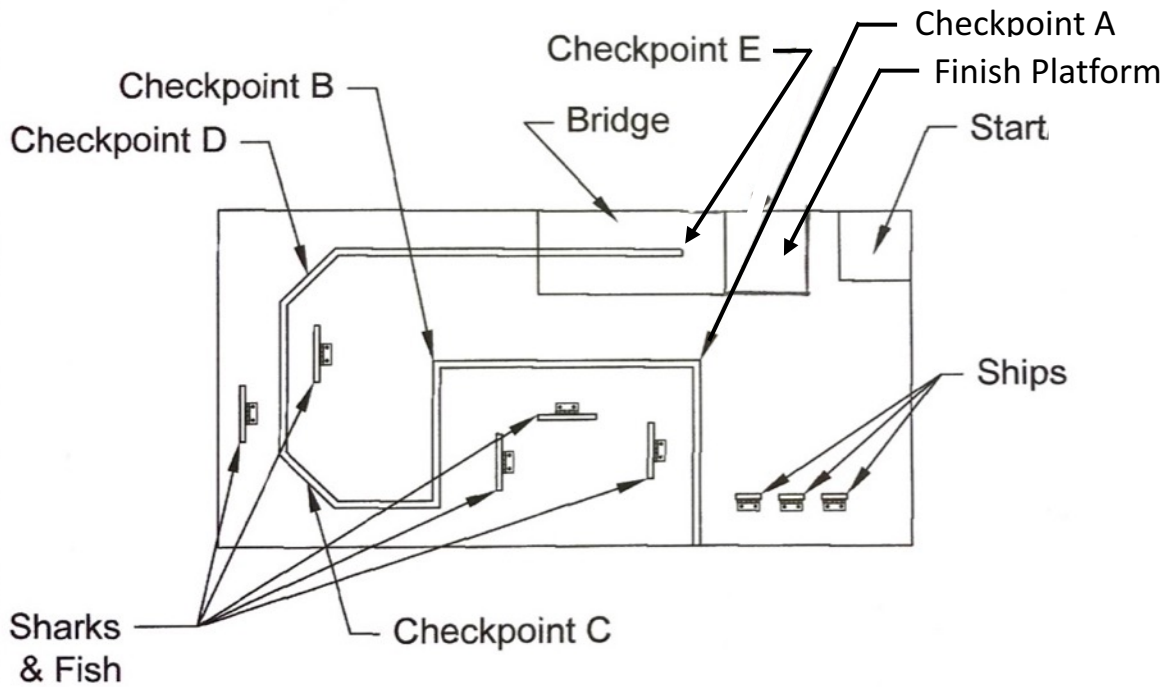
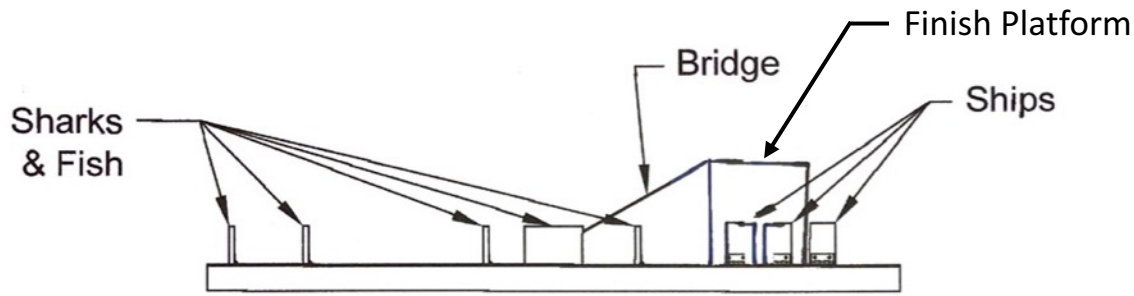
Course	Fish Food!	Description Bottom View
Date	11/15/16	

.Notes:

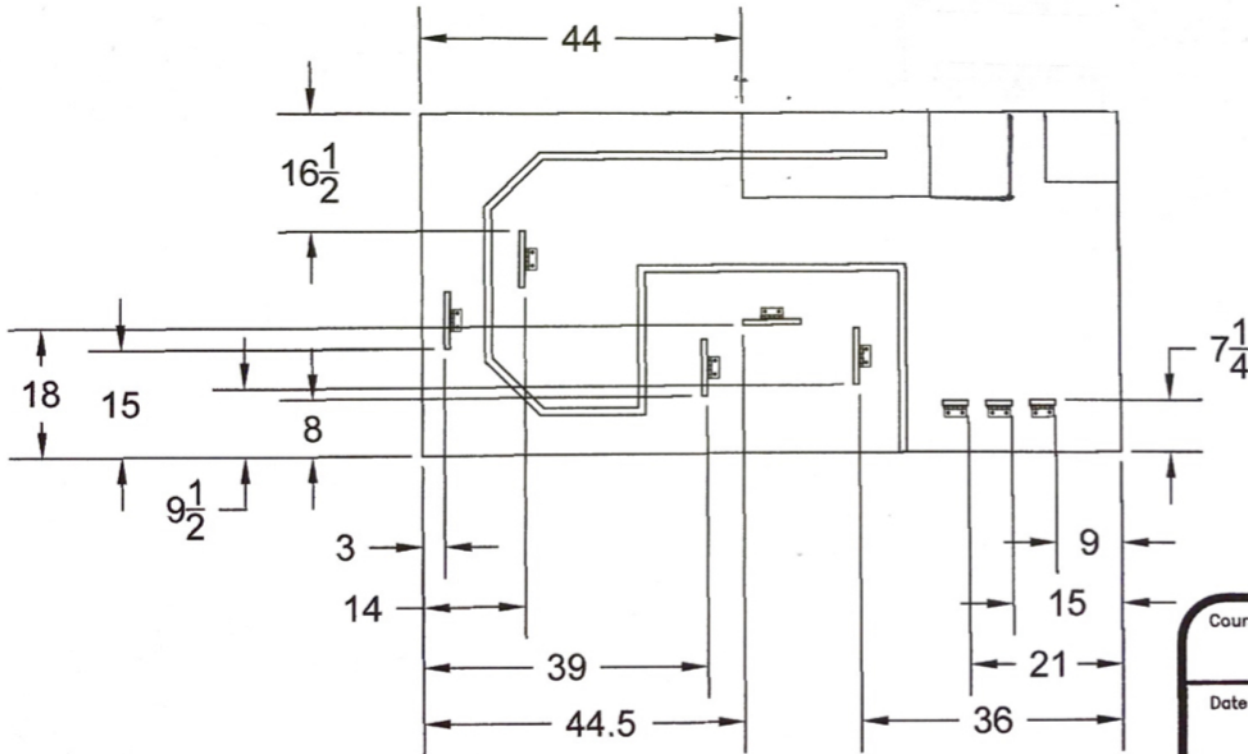
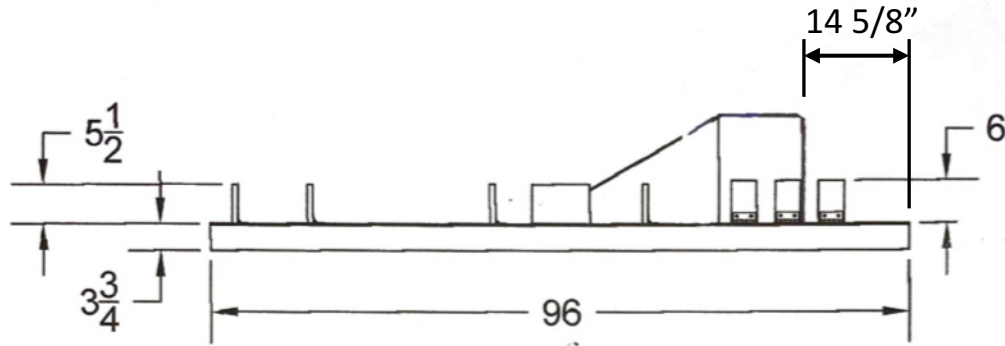
1. Bridge shown laying flat on the course.
2. Line is 1" wide



Course <b>Fish Food!</b>	Description Line layout
Date 11/15/16	



Course	<b>Fish Food!</b>	Description Course labels
Date	11/15/16	



Course	Fish Food!	Description Overall course dimensions and attachment locations
Date		