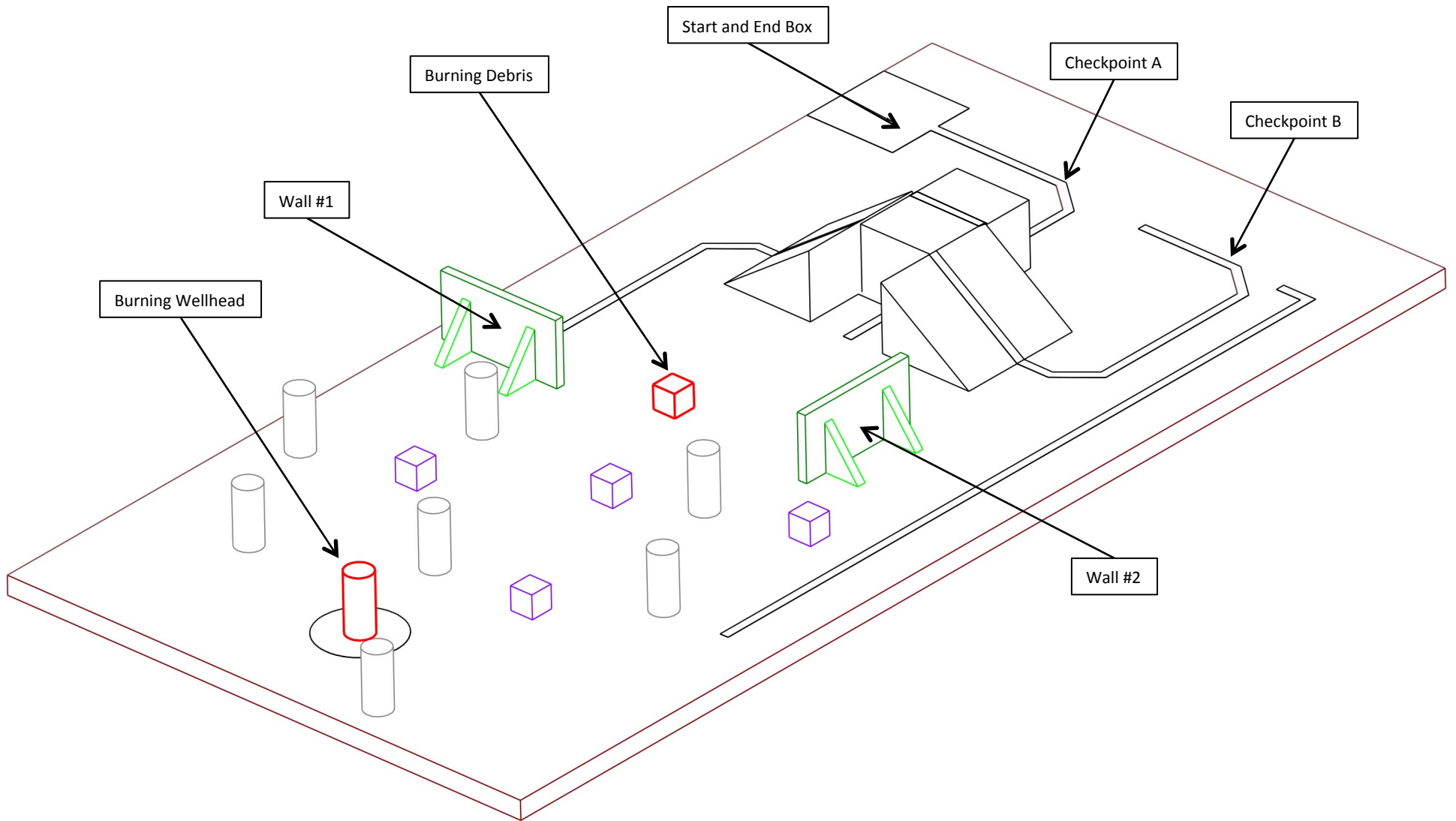
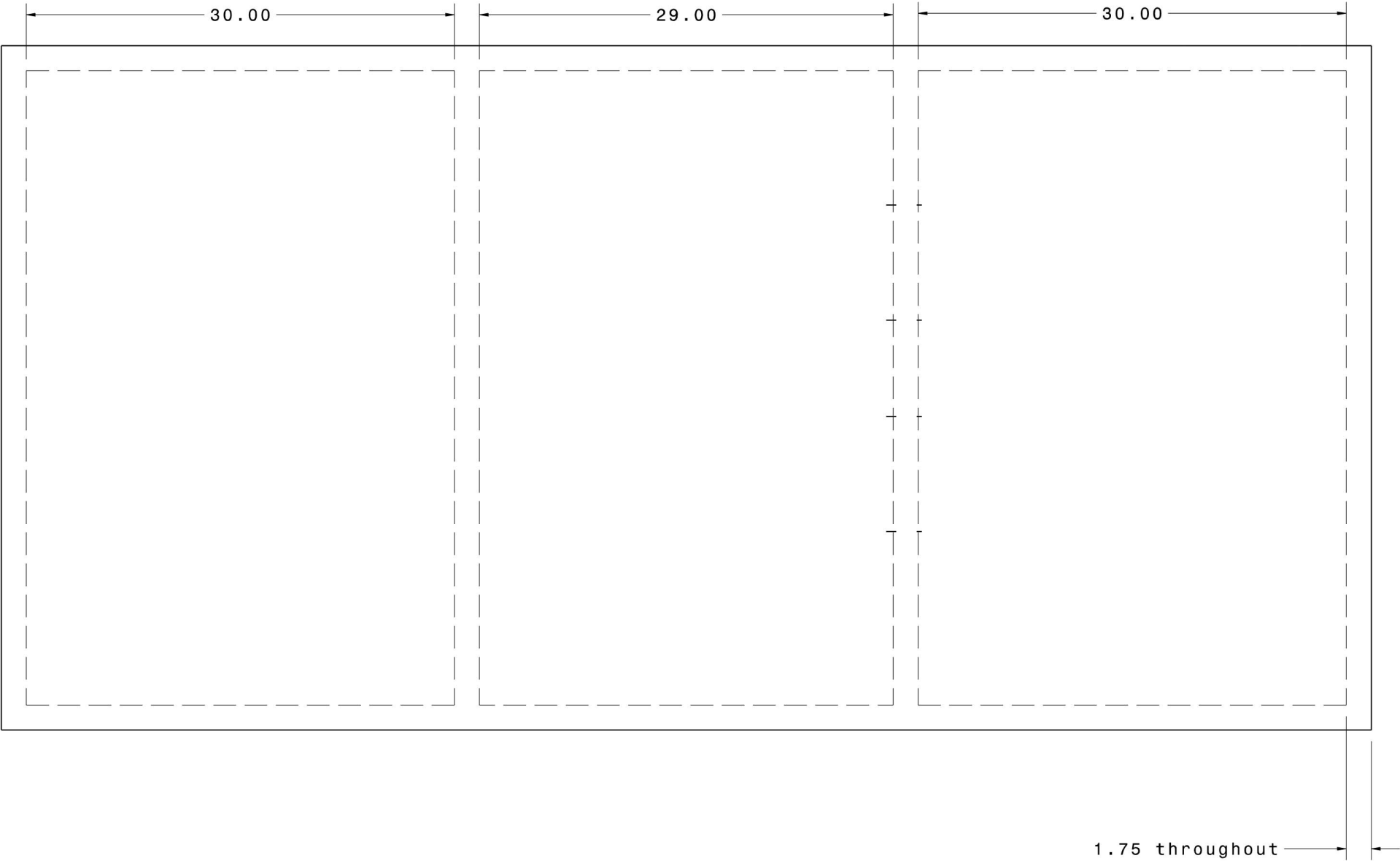


Course Overview

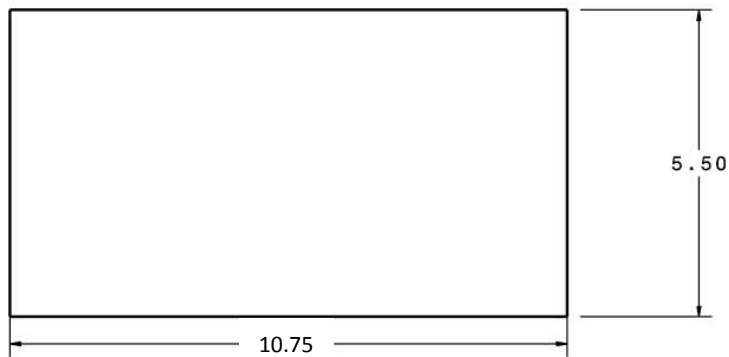
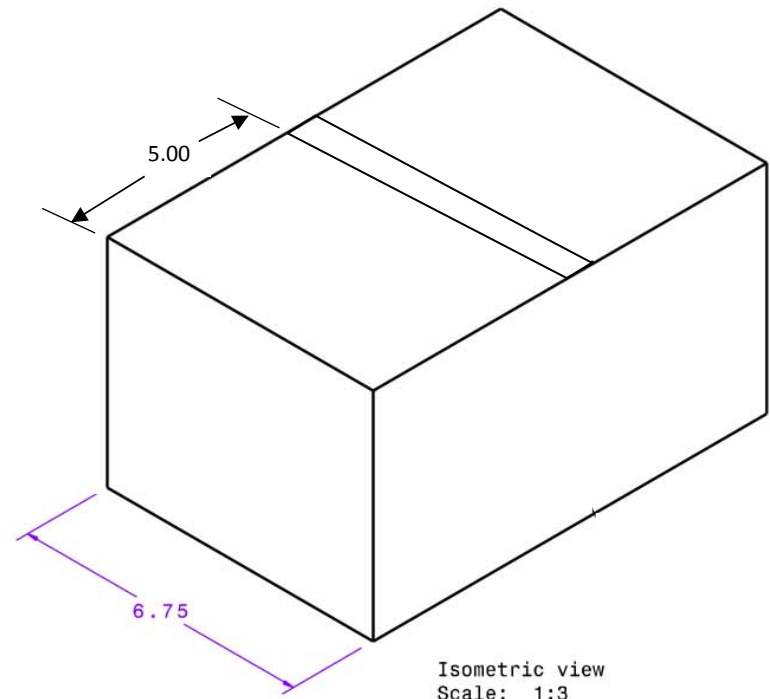
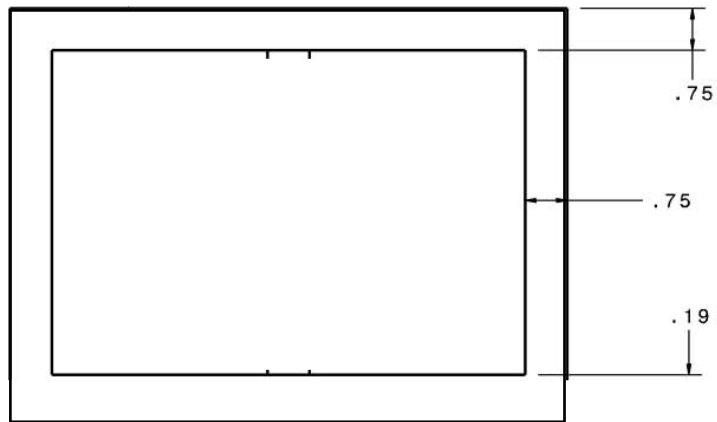


Isometric view
Scale: 1:10

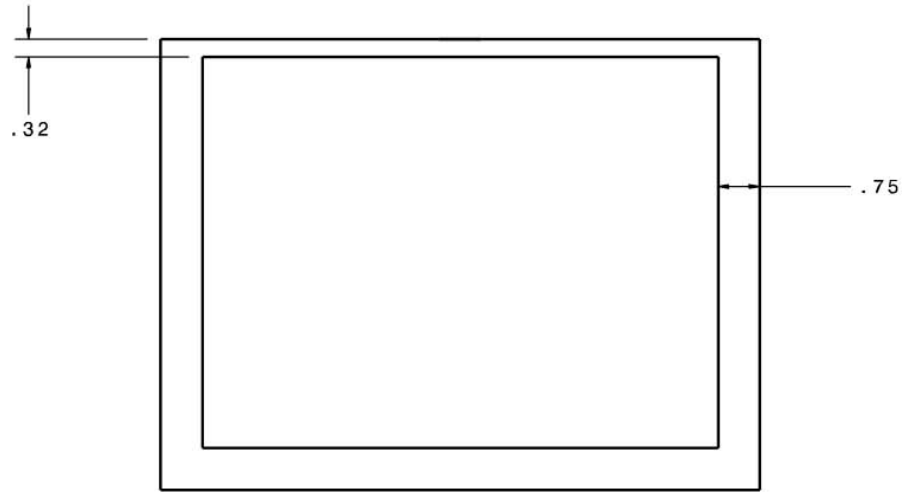
Supports



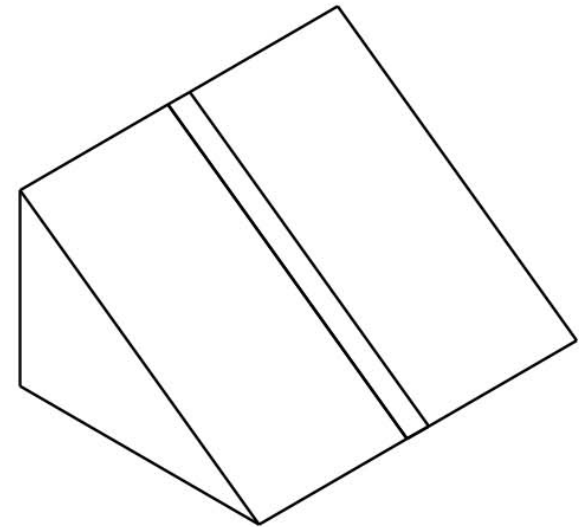
Bridge



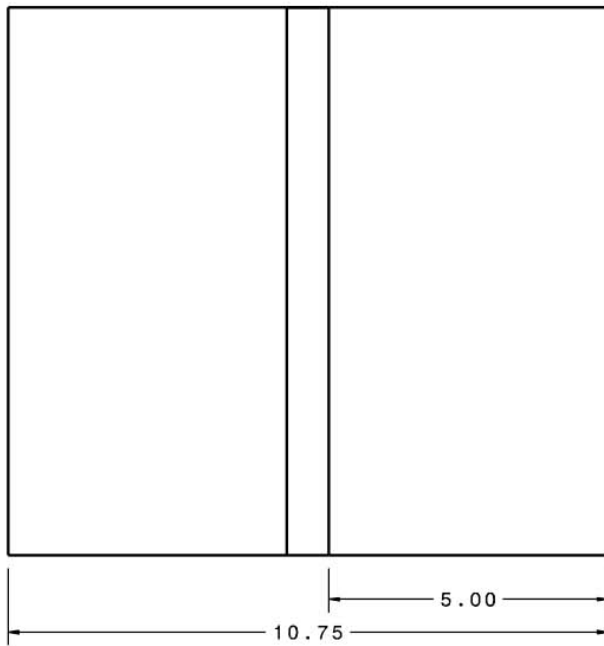
Ramps



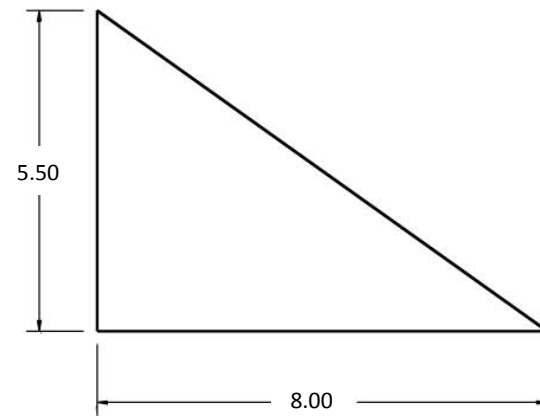
Bottom View
Scale: 1:3



Isometric view
Scale: 1:4

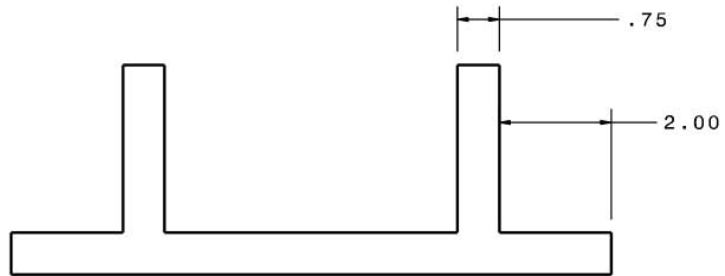


Front View
Scale: 1:3

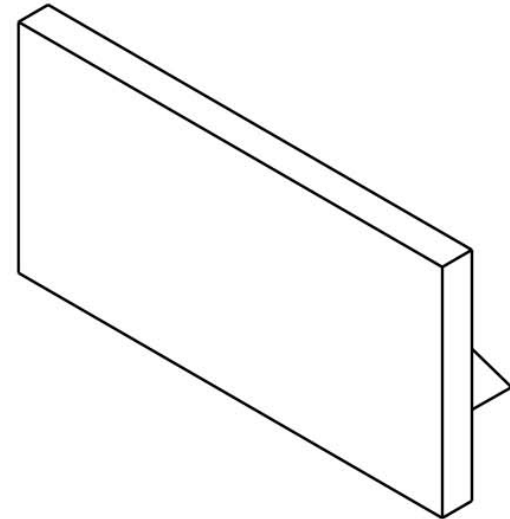


Side View
Scale: 1:3

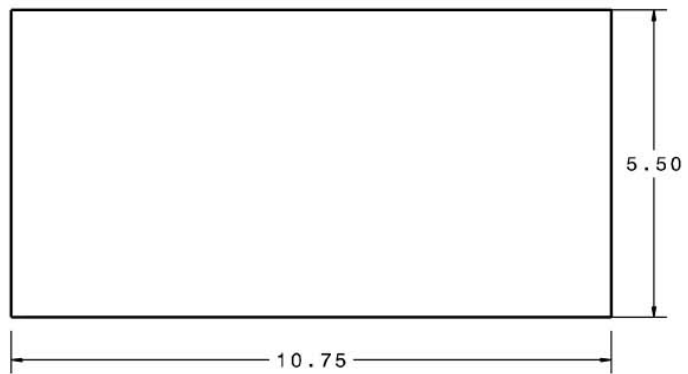
Walls



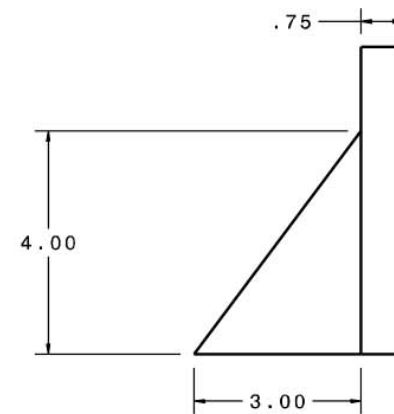
Top view
Scale: 1:3



Isometric view
Scale: 1:3

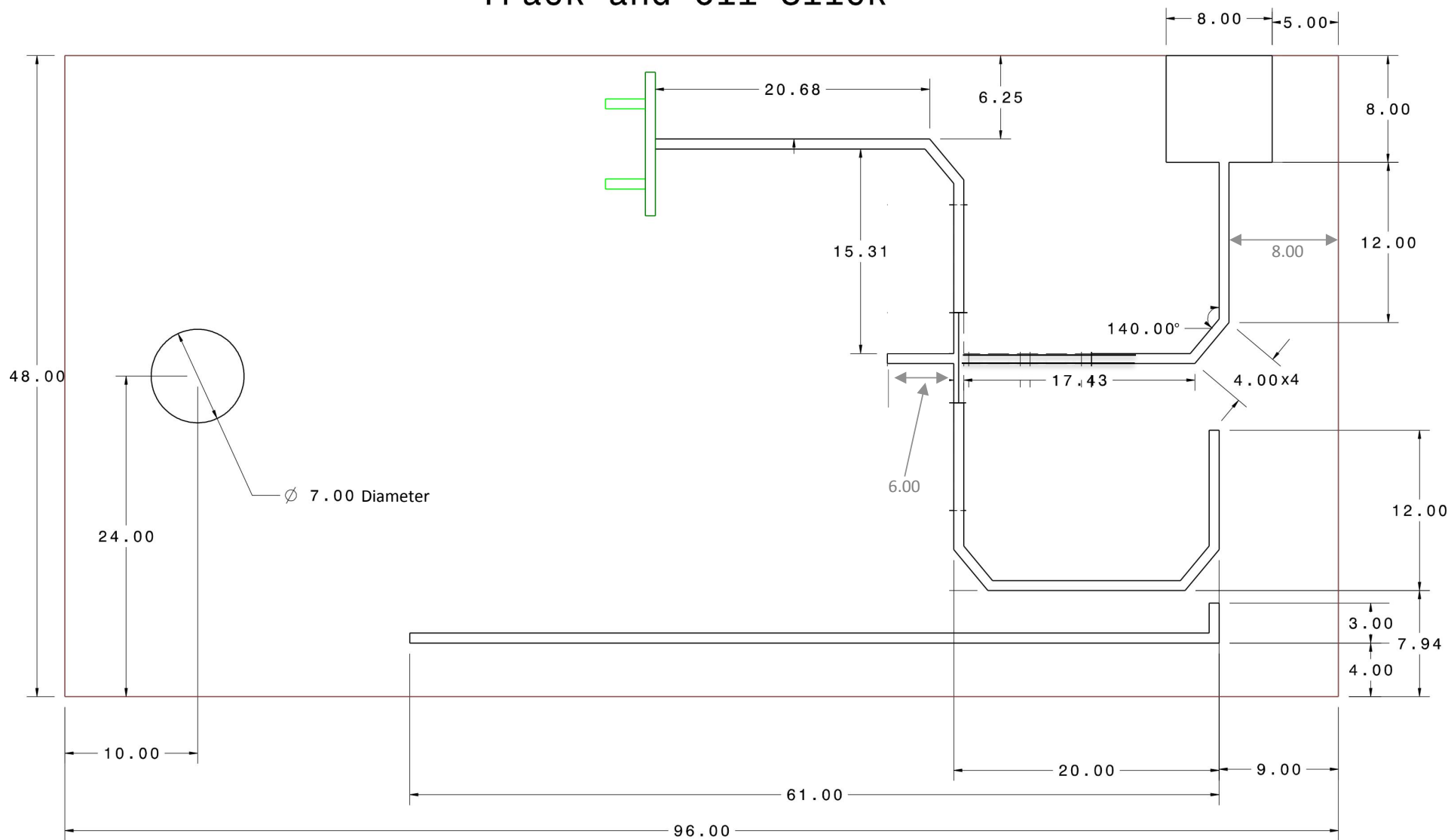


Front view
Scale: 1:3



Right view
Scale: 1:3

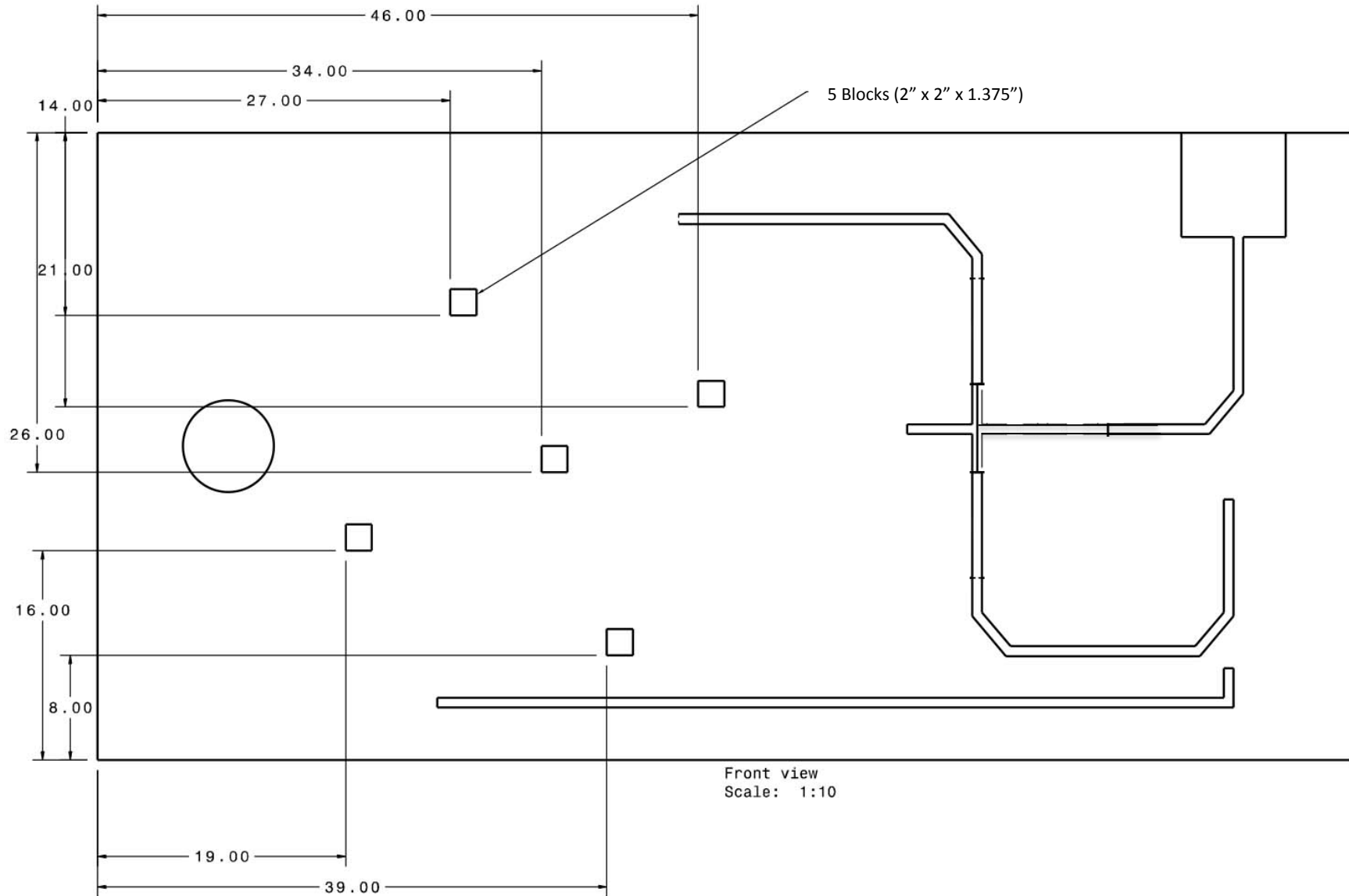
Track and Oil Slick



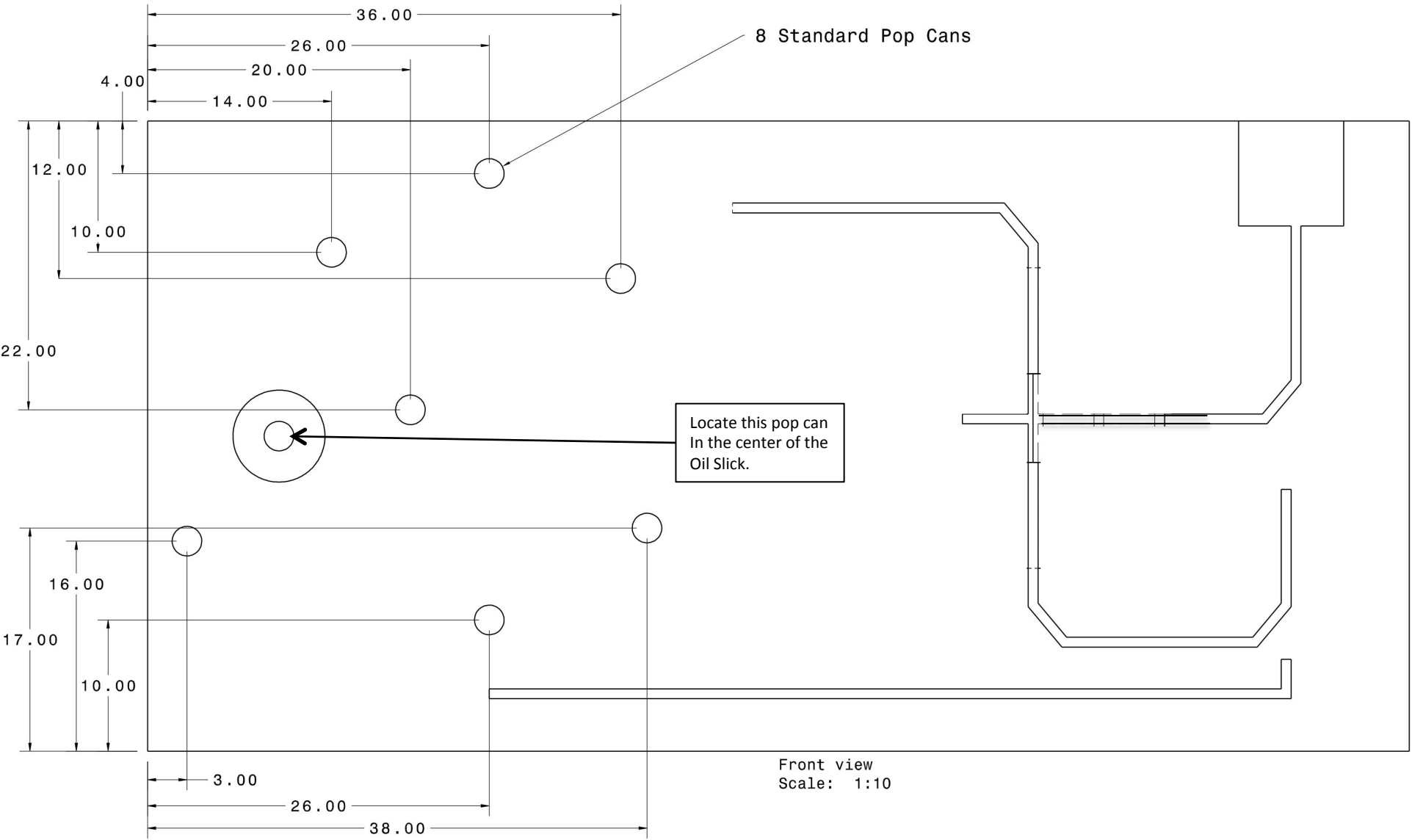
Top View Scale: 1:1

Track Width=.75

Debris Positioning



Pop Can Positioning



Ramp/Wall/Bridge Positioning

